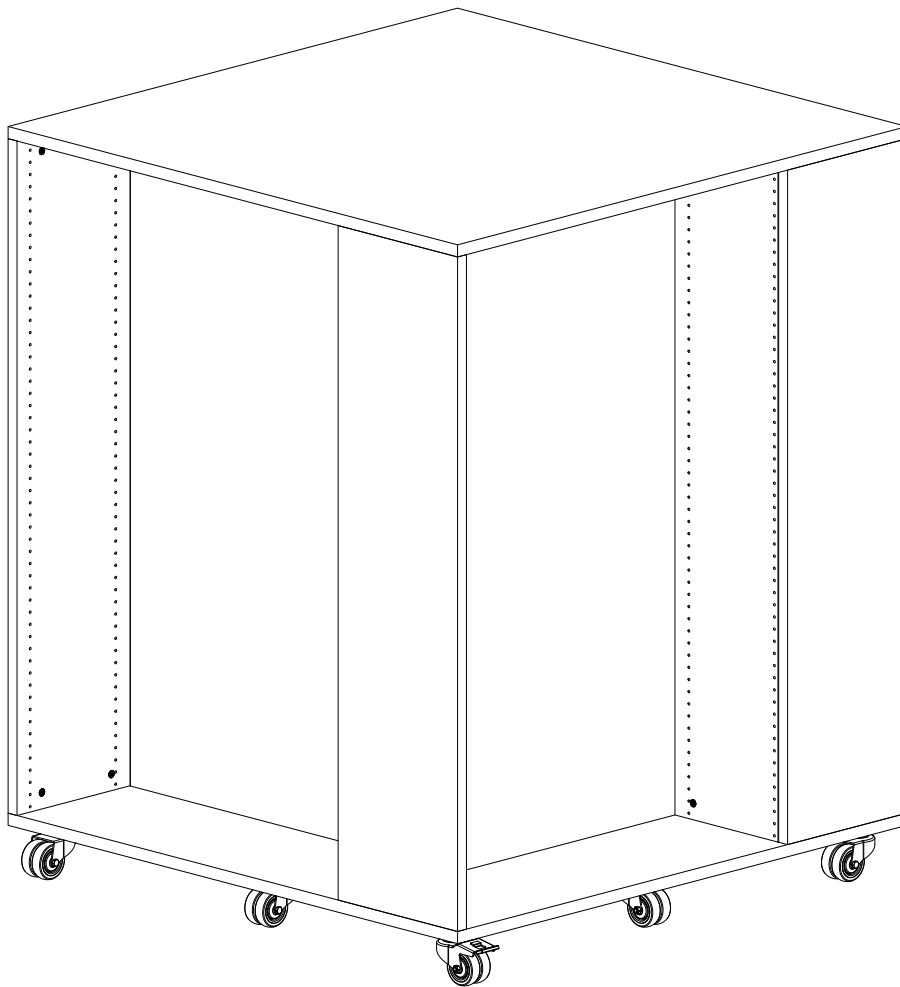




Assembly Guide

Lingo Square with castors



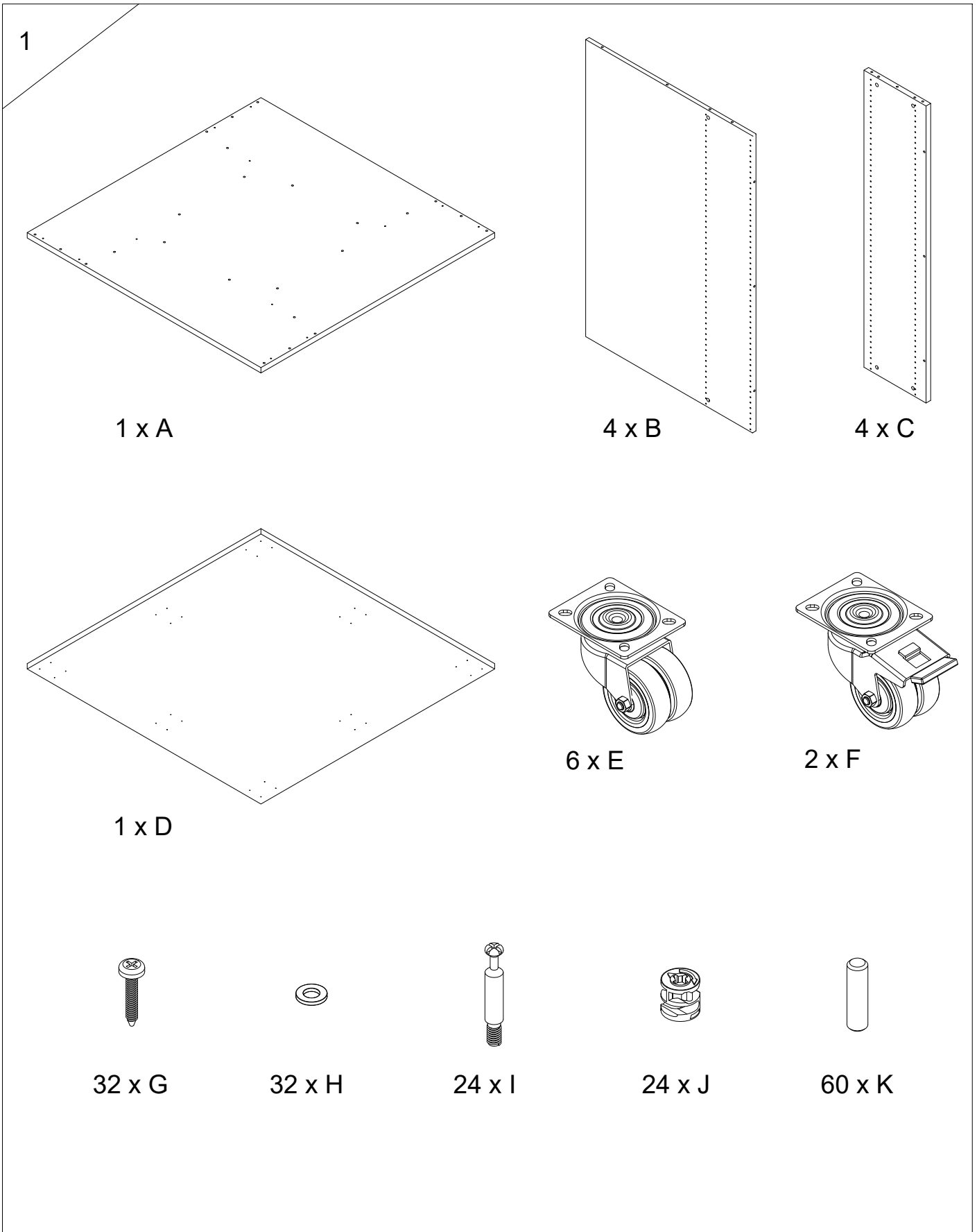
09.2022

First check the contents to make sure that nothing is missing. Sort out the screws and fittings as shown.
Assemble your furniture step by step, as shown in the illustrations.

Assembly Guide



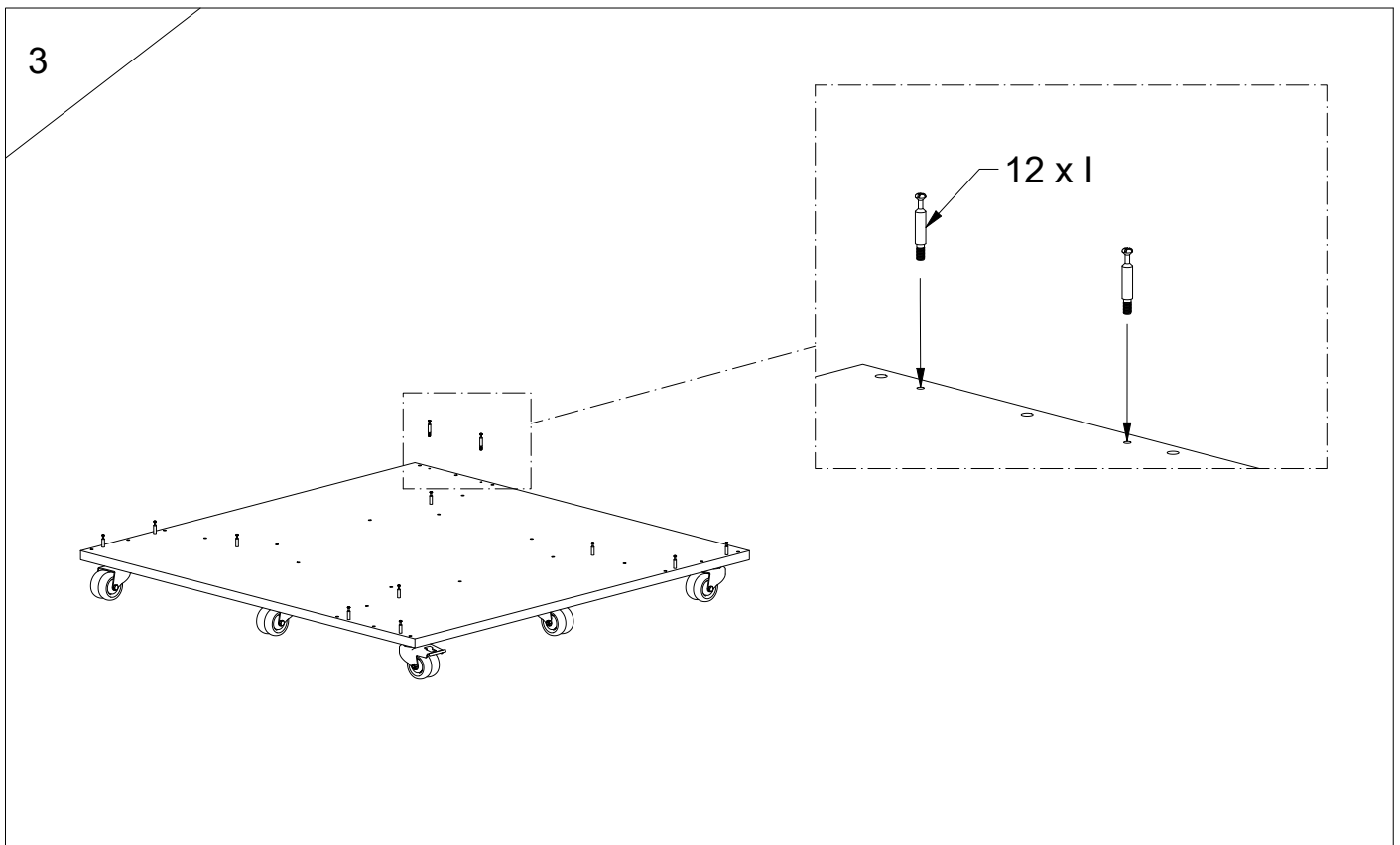
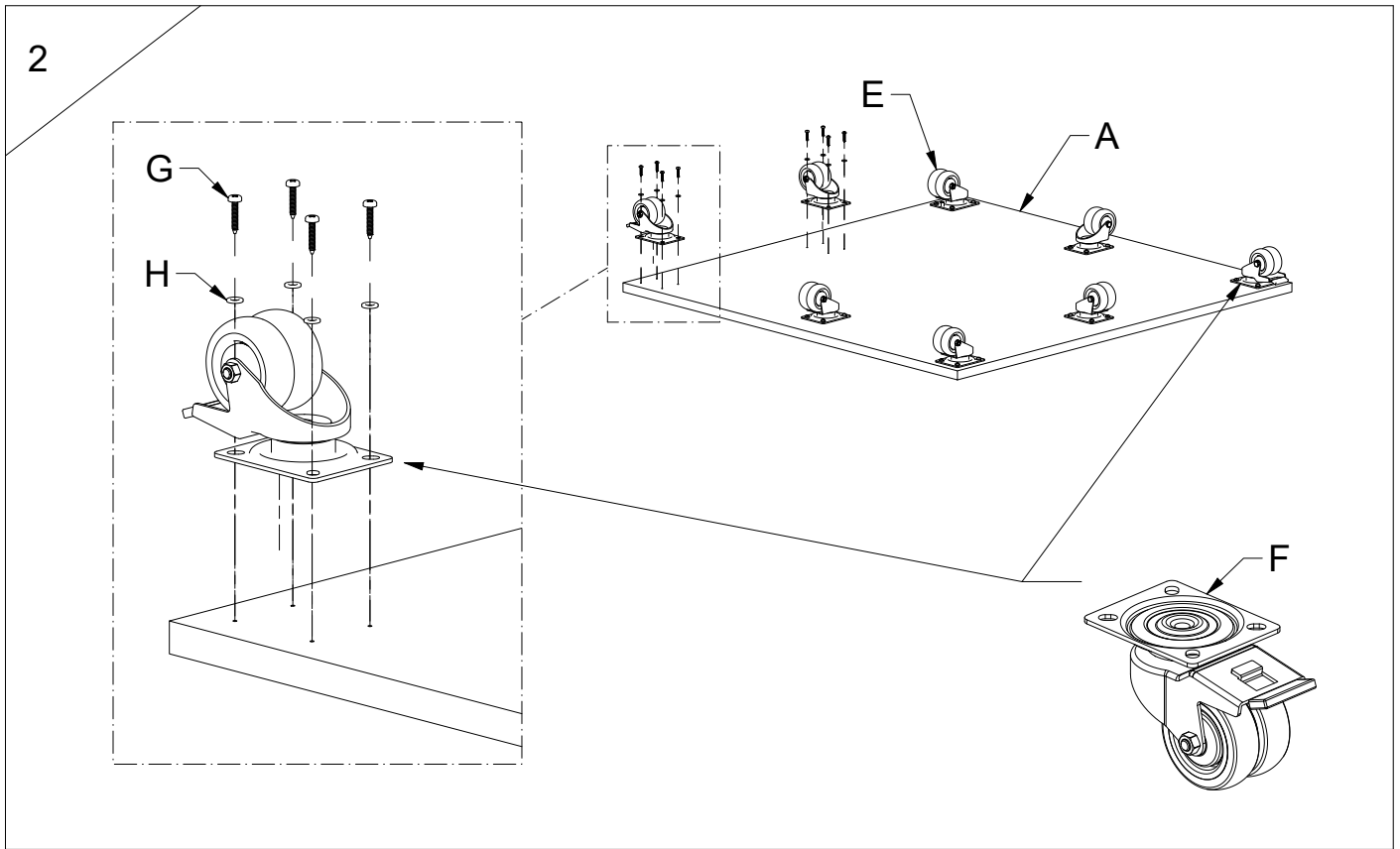
Lingo Square with castors



Assembly Guide



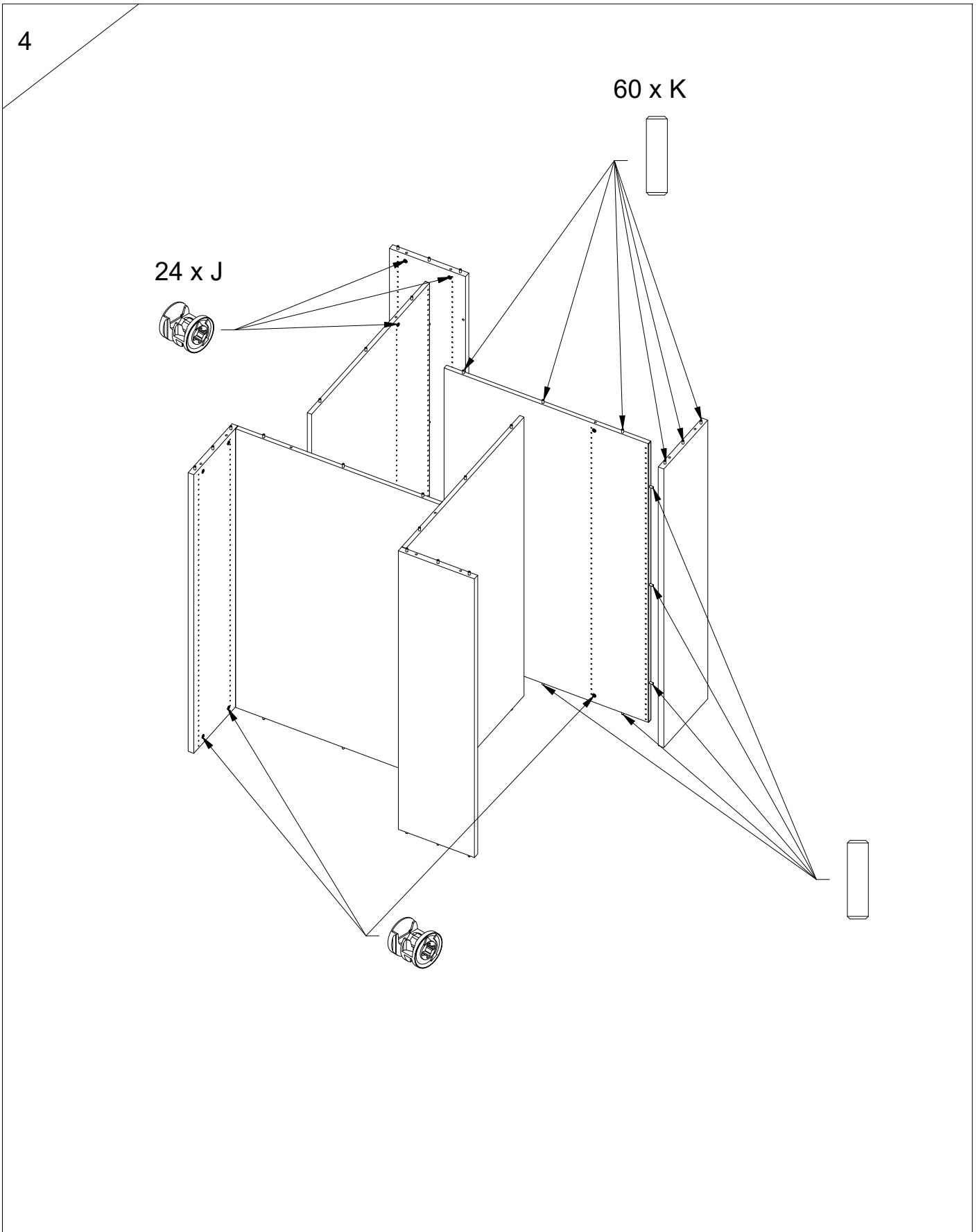
Lingo Square with castors



Assembly Guide



Lingo Square with castors



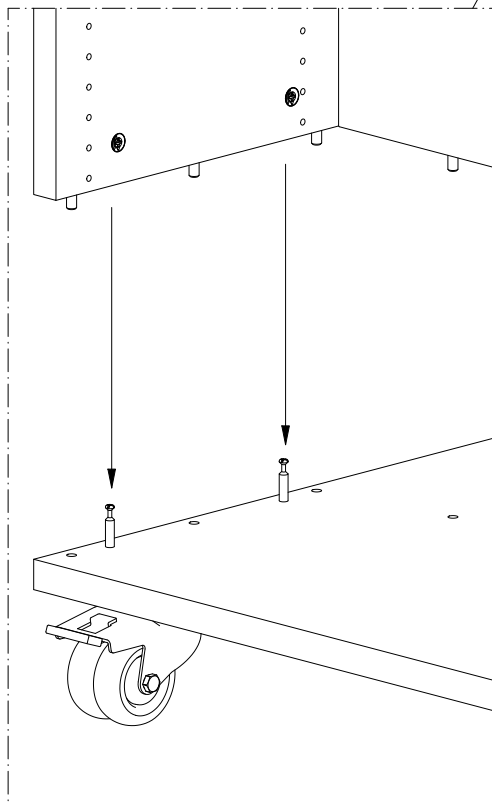
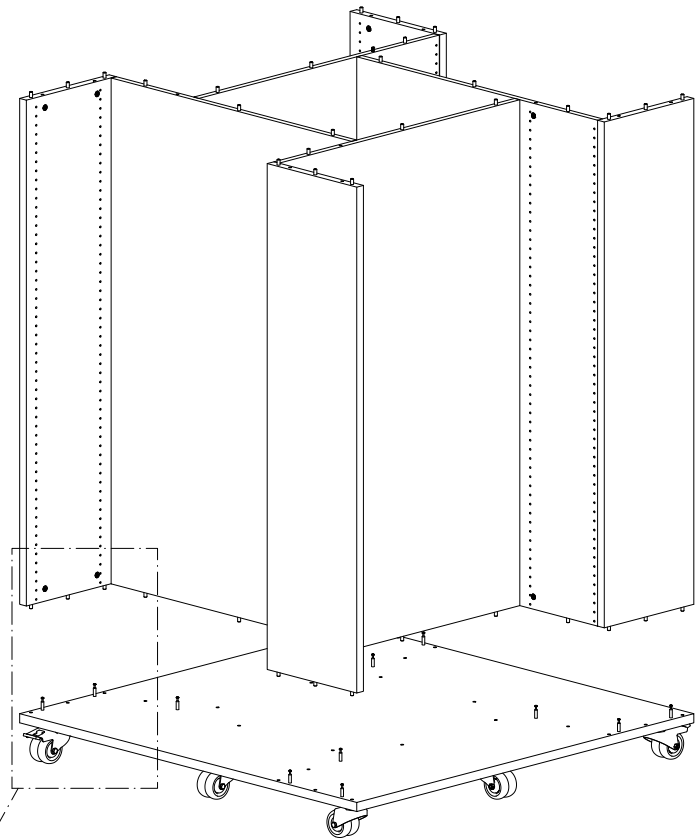
Assembly Guide

WE ARE LIBRARY PEOPLE®



Lingo Square with castors

5



12 x 1



Assembly Guide



Lingo Square with castors

