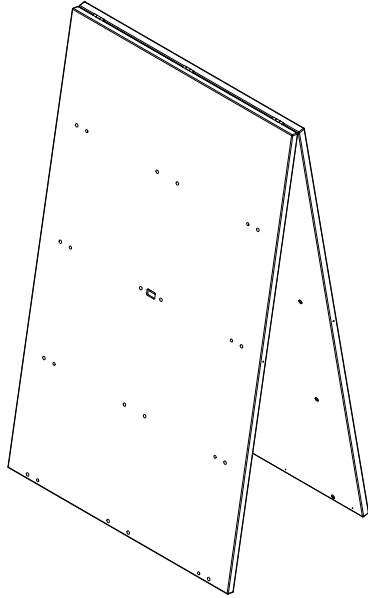


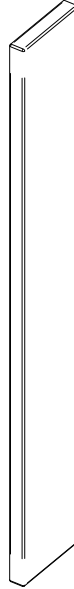
Assembly Guide



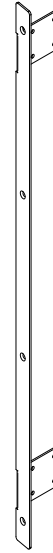
1



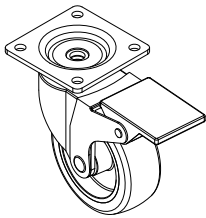
1 x A



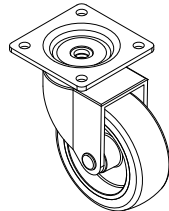
8 x B



2 x C



2 x D



2 x E



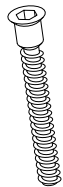
32 x F



16 x G



16 x H



16 x I



4 x J



2 x K



8 x L

